

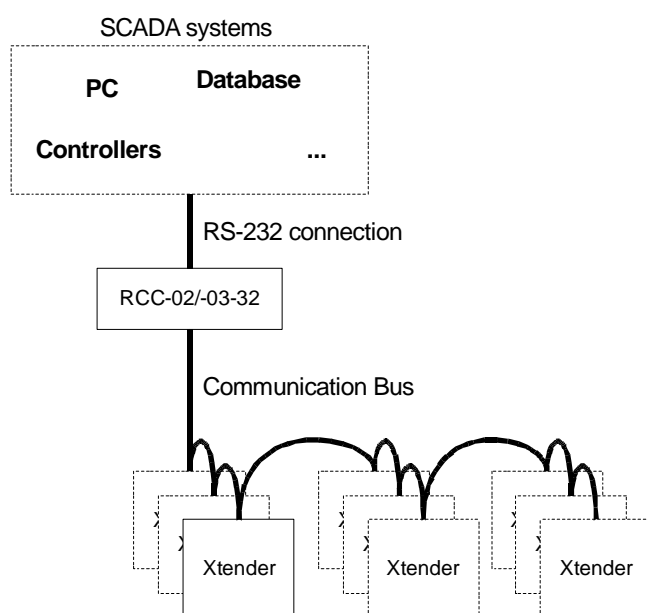
# Communicate with an Xtender system



RCC-02-32

RCC-03-32

The remote control RCC-02/-03-32, equipped with a serial port RS-232, enables to be informed of the state of a system consisting of one or several Xtenders. It is then possible to read all data that can be displayed on the remote control basic screen and also to modify the configuration parameters. An Xtender system can therefore be connected to various SCADA control and supervision devices (PC, programmable logic controller, microcontroller).



*Access to the inverters with a RCC-02/-03-32*

From a more technical point of view, the electrical interface RS-232 allows for instance the data transmission with GSM modems, RS-232 bridges to TCP/IP or also with long distance converters RS-422. Besides, in order to secure a total electrical separation between the Xtender system and the control and supervision device, the port is protected by means of a galvanic isolation.

The specific protocol, easy, open and fully documented is available on request at [info@studer-innotec.com](mailto:info@studer-innotec.com).